



MASTER LEDspot LV AR111

MAS LEDspotLV D 20-100W 830 AR111 24D

Delivering a warm, halogen-like accent beam, MASTER LEDspot LV AR111 is an ideal retrofit solution for spot and general lighting applications in the hospitality and retail industry. It is particularly suitable for general lighting where the light is on all the time, such as creative accent lighting applications in shops, restaurants, hotels, and especially for galleries, exhibitions and museums. The robustly designed MASTER LEDspot LV AR111 offers various beam angles for a clearly defined beam spread. There is no UV or IR in the beam, making it suitable for illuminating heat-sensitive objects (food, organic materials, paintings, etc.). The patented intelligent driver enables broad compatibility with existing electromagnetic and electronic halogen transformers. MASTER LEDspot LV AR111 delivers huge energy savings and minimizes maintenance cost without any reduction in brightness.

Product data

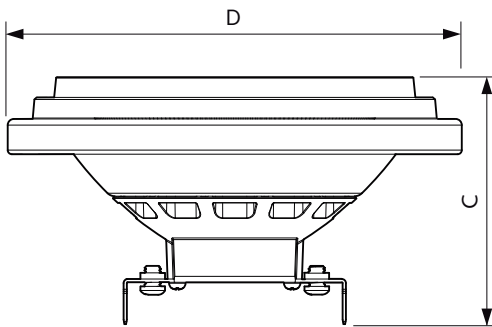
General Information		Luminous efficacy (rated) (nom.)	
Cap base	G53 [G53]		64 lm/W
EU RoHS compliant	Yes	Colour consistency	<6
Nominal lifetime (nom.)	25000 h	Colour rendering index (nom.)	80
Switching cycle	50,000X	LLMF at end of nominal lifetime (nom.)	70 %
Technical type	20-100W	Operating and Electrical	
Light Technical		Input frequency	- Hz
Colour Code	830 [CCT of 3,000 K]	Power (Rated) (Nom)	20 W
Beam Angle (Nom)	25 °	Lamp current (nom.)	2400 mA
Luminous flux (nom.)	1280 lm	Wattage equivalent	100 W
Luminous intensity (nom.)	5800 cd	Starting time (nom.)	0.5 s
Colour designation	White (WH)	Warm-up time to 60% light (nom.)	0.5 s
Correlated Colour Temperature (Nom)	3000 K	Power factor (nom.)	0.7

MASTER LEDspot LV AR111

Voltage (Nom)	12 V
Temperature	
T-Case maximum (nom.)	80 °C
Controls and Dimming	
Dimmable	Yes
Approval and Application	
Energy efficiency label (EEL)	Not applicable
Suitable for accent lighting	Yes
Energy consumption kWh/1,000 hours	22 kWh

Product Data	
Full product code	871869651737600
Order product name	MAS LEDspotLV D 20-100W 830 AR111 24D
EAN/UPC – product	8718696517376
Order code	51737600
Numerator – quantity per pack	1
SAP numerator – packs per outer box	6
Material no. (12 NC)	929001170908
Net Weight (Piece)	0.360 kg

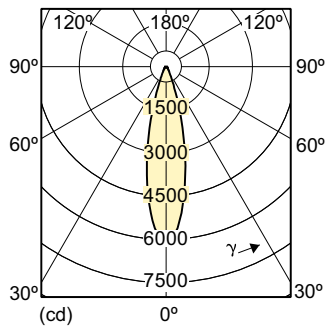
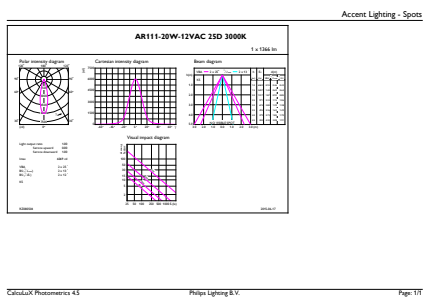
Dimensional drawing



MAS LEDspot LV D 20-100W 830 AR111 24D

Product	D	C
MAS LEDspotLV D 20-100W 830 AR111 24D	111 mm	62 mm

Photometric data

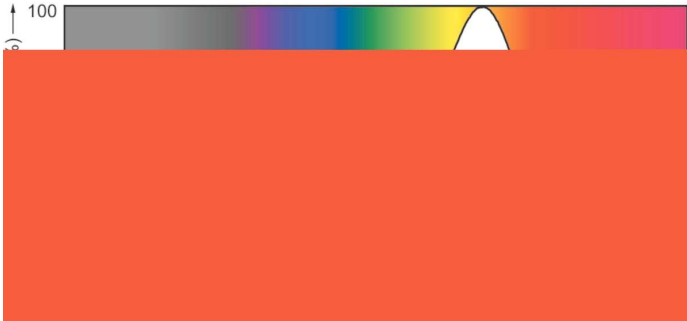


LEDspot, LEDspotLV 20-100W AR111 830 24D

LEDspot, LEDspotLV 20-100W AR111 830 24D

MASTER LEDspot LV AR111

Photometric data

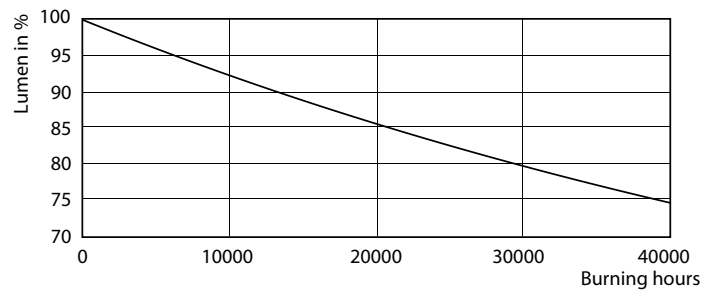


SDPO_LEDspotL_0023-Spectral Power distribution

Lifetime



MASTER LEDspotLV AR111 100W G53 40D



MASTER LEDspotLV AR111 100W G53 40D

