



Essential LEDspot MR16

Essential LED 5-50W 2700K MR16 24D

Essential LEDspots MR16 are compatible with most existing fixtures with a GU5.3 socket and are designed as a retrofit replacement for halogen spots. Essential LEDspots MR16 deliver significant energy savings and minimise the initial investment.

Product data

General Information	
Cap base	GU5.3 [GU5.3]
EU RoHS compliant	Yes
Nominal lifetime (nom.)	15000 h
Switching cycle	50,000X
Technical type	5-50W
Light Technical	
Colour Code	827 [CCT of 2,700 K]
Beam Angle (Nom)	24 °
Luminous flux (nom.)	400 lm
Luminous intensity (nom.)	1700 cd
Colour designation	Warm White (WW)
Correlated Colour Temperature (Nom)	2700 K
Luminous efficacy (rated) (nom.)	80.00 lm/W
Colour consistency	<6
Colour rendering index (nom.)	80
LLMF at end of nominal lifetime (nom.)	70 %

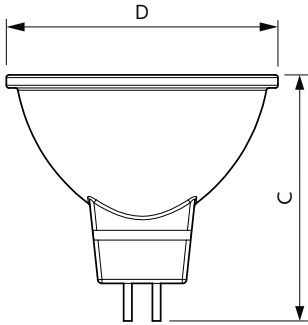
Operating and Electrical	
Input frequency	- Hz
Power (Rated) (Nom)	5 W
Lamp current (nom.)	580 mA
Wattage equivalent	50 W
Starting time (nom.)	0.5 s
Warm-up time to 60% light (nom.)	1 s
Power factor (nom.)	0.5
Voltage (Nom)	12 V
Temperature	
T-Case maximum (nom.)	76 °C
Controls and Dimming	
Dimmable	No
Approval and Application	
Energy efficiency label (EEL)	A+
Suitable for accent lighting	Yes

Essential LEDspot MR16

Energy consumption kWh/1,000 hours	- kWh
Product Data	
Full product code	871869657955800
Order product name	Essential LED 5-50W 2700K MR16 24D
EAN/UPC – product	8718696579558
Order code	57955800

SAP numerator – quantity per pack	1
Numerator – packs per outer box	10
SAP material	929001240108
SAP net weight (piece)	0.045 kg

Dimensional drawing



MR16 12V 5W-50W 380lm 24D 2700K GU5.3 ND

Product	D	C
Essential LED 5-50W 2700K MR16 24D	50 mm	46 mm

