



MASTER LEDspot ExpertColor LV

MASTER LED MR16 ExpertColor 7.2-50W 930 10D

MASTER LEDspot LV ExpertColor creates a warm and comfortable ambience for hospitality venues, homes and restaurants. It creates such an ambience with superior lighting that has a customised spectrum, high CRI and deep dimming feature. The result? A beautiful lighting experience. What's more, the innovative, trimless lens design will suit almost any interior decor with its clean and neat look. In addition, you can take advantage of the full ExpertColor family, which also includes LEDspot MV and LEDspot Par lamps.

Product data

General Information	
Cap base	GU5.3 [GU5.3]
EU RoHS compliant	Yes
Nominal lifetime (nom.)	40000 h
Switching cycle	50,000X
Technical type	7.2-50W

Light Technical	
Colour Code	930 [CCT of 3,000 K]
Beam Angle (Nom)	10°
Luminous flux (nom.)	480 lm
Luminous intensity (nom.)	5000 cd
Colour designation	White (WH)
Correlated Colour Temperature (Nom)	3000 K
Luminous efficacy (rated) (nom.)	66.67 lm/W
Colour consistency	<3
Colour rendering index (nom.)	97

LLMF at end of nominal lifetime (nom.) 70 %	
---	--

Operating and Electrical	
Input frequency	- Hz
Power (Rated) (Nom)	7.2 W
Lamp current (nom.)	800 mA
Wattage equivalent	50 W
Starting time (nom.)	0.5 s
Warm-up time to 60% light (nom.)	1 s
Power factor (nom.)	0.7
Voltage (Nom)	12 V

Temperature	
T-Case maximum (nom.)	92 °C

Controls and Dimming	
Dimmable	Yes

MASTER LEDspot ExpertColor LV

Approval and Application

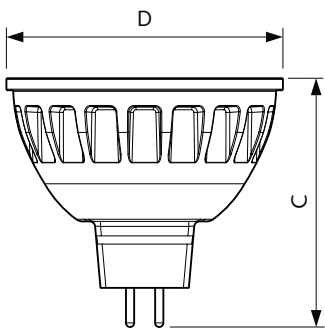
Energy efficiency label (EEL)	Not applicable
Energy-saving product	Yes
Suitable for accent lighting	Yes
Energy consumption kWh/1,000 hours - kWh	

Product Data

Full product code	694793912149600
Order product name	MASTER LED MR16 ExpertColor 7.2-50W 930 10D

EAN/UPC – product	6947939121496
Order code	12149600
SAP numerator – quantity per pack	1
Numerator – packs per outer box	10
SAP material	929001242010
SAP net weight (piece)	0.034 kg

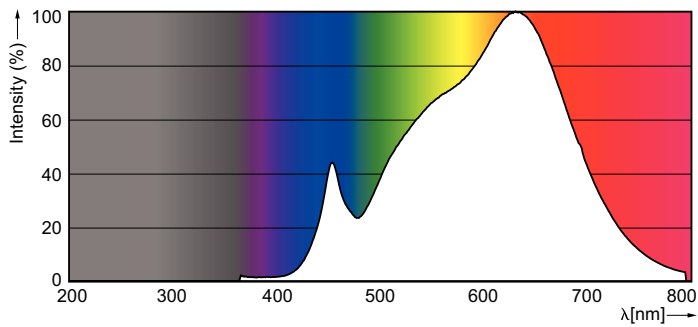
Dimensional drawing



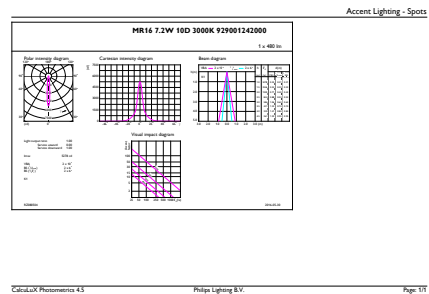
MR16 12V 7.2-50W 420lm 10D 3000K GU5.3 D

Product	D	C
MASTER LED MR16 ExpertColor 7.2-50W 930 10D	51 mm	46 mm

Photometric data



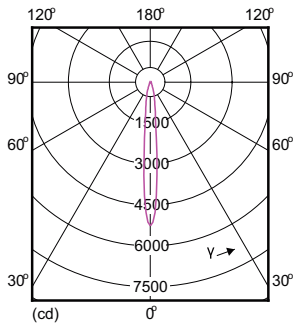
MAS LED ExpertColor 7.2-50W MR16 GU5.3 930



MAS LED ExpertColor 7.2-50W MR16 GU5.3 930 10D

MASTER LEDspot ExpertColor LV

Photometric data



MAS LED ExpertColor 7.2-50W MR16 GU5.3 930 10D

