



# MASTER LEDspot ExpertColor LV

## MASTER LED MR16 ExpertColor 7.2-50W 927 24D

MASTER LEDspot LV ExpertColor creates a warm and comfortable ambience for hospitality venues, homes and restaurants. It creates such an ambience with superior lighting that has a customised spectrum, high CRI and deep dimming feature. The result? A beautiful lighting experience. What's more, the innovative, trimless lens design will suit almost any interior decor with its clean and neat look. In addition, you can take advantage of the full ExpertColor family, which also includes LEDspot MV and LEDspot Par lamps.

### Product data

General Information		LLMF at end of nominal lifetime (nom.) 70 %	
Cap base	GU5.3 [ GU5.3]		
EU RoHS compliant	Yes		
Nominal lifetime (nom.)	40000 h		
Switching cycle	50,000X		
Technical type	7.2-50W		
Light Technical		Operating and Electrical	
Colour Code	927	Input frequency	- Hz
Beam Angle (Nom)	24°	Power (Rated) (Nom)	7.2 W
Luminous flux (nom.)	450 lm	Lamp current (nom.)	800 mA
Luminous intensity (nom.)	2200 cd	Wattage equivalent	50 W
Colour designation	Warm White (WW)	Starting time (nom.)	0.5 s
Correlated Colour Temperature (Nom)	2700 K	Warm-up time to 60% light (nom.)	1 s
Luminous efficacy (rated) (nom.)	62.50 lm/W	Power factor (nom.)	0.7
Colour consistency	<3	Voltage (Nom)	12 V
Colour rendering index (nom.)	97	Temperature	
		T-Case maximum (nom.)	92 °C
		Controls and Dimming	
		Dimmable	Yes

# MASTER LEDspot ExpertColor LV

## Approval and Application

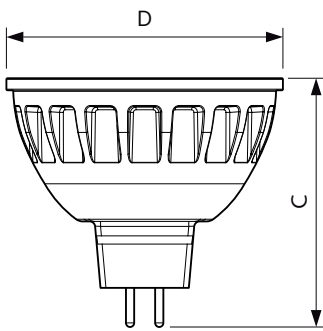
Energy efficiency label (EEL)	Not applicable
Energy-saving product	Yes
Suitable for accent lighting	Yes
Energy consumption kWh/1,000 hours - kWh	

## Product Data

Full product code	871869657177400
Order product name	MASTER LED MR16 ExpertColor 7.2-50W 927 24D

EAN/UPC – product	8718696571774
Order code	57177400
SAP numerator – quantity per pack	1
Numerator – packs per outer box	10
SAP material	929001242208
SAP net weight (piece)	0.034 kg

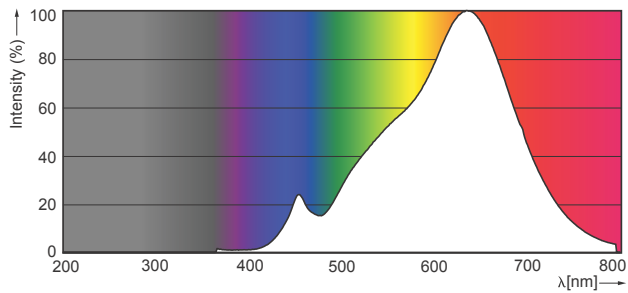
## Dimensional drawing



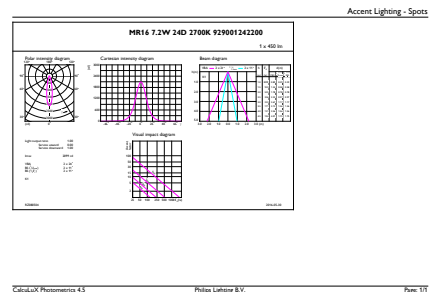
MR16 12V 7.2-50W 420lm 24D 2700K GU5.3 D

Product	D	C
MASTER LED MR16 ExpertColor 7.2-50W 927 24D	51 mm	46 mm

## Photometric data



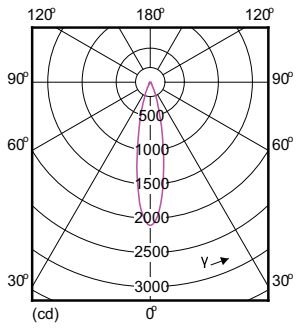
MAS LED ExpertColor 7.2-50W MR16 GU5.3 927



MAS LED ExpertColor 7.2-50W MR16 GU5.3 927 24D

# MASTER LEDspot ExpertColor LV

## Photometric data



MAS LED ExpertColor 7.2-50W MR16 GU5.3 927 24D

