



MASTER LEDspot LV

LED MR16 3-50W 36D 830

Delivering an intense accent beam, the MASTER LEDspot LV is an ideal retrofit solution for spot-lighting. The MASTER LEDspot LV is designed to replace halogen or incandescent spots. It achieves natural colours, enables cosy and comfortable ambience for residential and hospitality usage, and emphasises the beauty of merchandise in retail. A new smaller housing provides perfect fitting with the majority of luminaires on the market with a MR16 GU 5.3 holder. It not only employs Philips's patented solution to guarantee the broadest possible compatibility with standard 12 V halogen electronic transformers, it also delivers high beam intensity which is equivalent to halogen MR16 spots. The dimming function enables users to create the desired atmosphere and it works with broad selection of dimmers. Its high SDCM ensures stricter colour consistency, that is maintained over product life. The MASTER LEDspot LV delivers huge energy savings and minimises maintenance costs without any compromise on light quality and lifetime, enabling residential and business owners to achieve a return on their investment within a short time period.

Product data

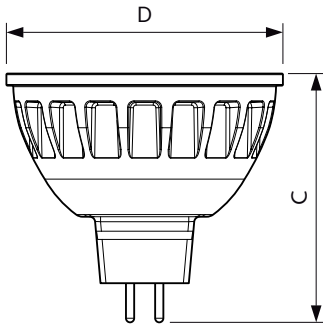
General Information		Correlated Colour Temperature (Nom)	
Cap base	GU5.3 [GU5.3]		3000 K
EU RoHS compliant	Yes	Luminous efficacy (rated) (nom.)	133.33 lm/W
Nominal lifetime (nom.)	25000 h	Colour consistency	<6
Switching cycle	50,000X	Colour rendering index (nom.)	80
Technical type	3-50W	LLMF at end of nominal lifetime (nom.)	70 %
Light Technical		Operating and Electrical	
Colour Code	830 [CCT of 3,000 K]	Input frequency	50 to 60 Hz
Beam Angle (Nom)	36 °	Power (Rated) (Nom)	3 W
Luminous flux (nom.)	400 lm	Lamp current (nom.)	500 mA
Luminous intensity (nom.)	800 cd	Wattage equivalent	50 W
Colour designation	White (WH)	Starting time (nom.)	0.5 s
		Warm-up time to 60% light (nom.)	1 s

MASTER LEDspot LV

Power factor (nom.)	0.6
Voltage (Nom)	12 V
Temperature	
T-Case maximum (nom.)	52 °C
Controls and Dimming	
Dimmable	No
Approval and Application	
Energy efficiency label (EEL)	Not applicable
Suitable for accent lighting	Yes
Energy consumption kWh/1,000 hours	- kWh

Product Data	
Full product code	871869667058300
Order product name	LED MR16 3-50W 36D 830
EAN/UPC – product	8718696670583
Order code	67058300
SAP numerator – quantity per pack	1
Numerator – packs per outer box	10
SAP material	929001275097
SAP net weight (piece)	0.034 kg

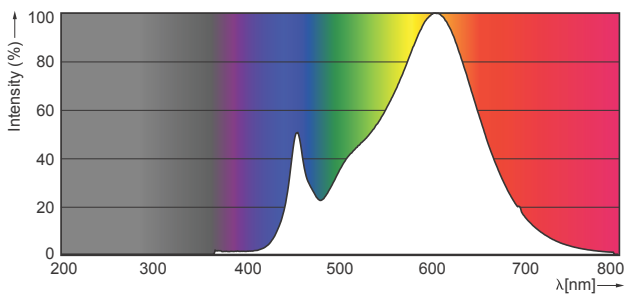
Dimensional drawing



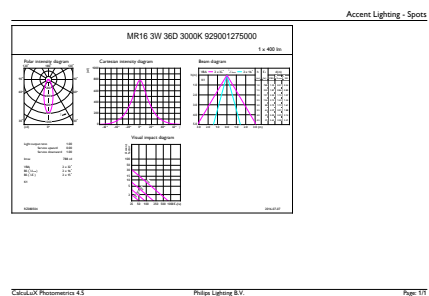
LED MR16 3-50W 36D 830

Product	D	C
LED MR16 3-50W 36D 830	51 mm	46 mm

Photometric data



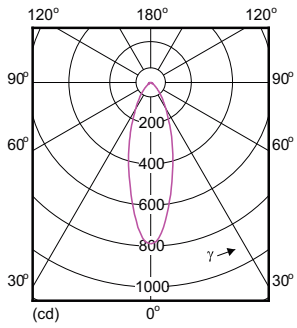
LED 3-50W MR16 GU5.3 830



LED 3-50W MR16 GU5.3 830 400lm 36D

MASTER LEDspot LV

Photometric data



LED 3-50W MR16 GU5.3 830 400lm 36D

