



MASTER LEDspot ExpertColor LV

MASTER LED ExpertColor 6.5-35W MR16 930 36D

MASTER LEDspot LV ExpertColor creates a warm and comfortable ambience for hospitality venues, homes and restaurants. It creates such an ambience with superior lighting that has a customised spectrum, high CRI and deep dimming feature. The result? A beautiful lighting experience. What's more, the innovative, trimless lens design will suit almost any interior decor with its clean and neat look. In addition, you can take advantage of the full ExpertColor family, which also includes LEDspot MV and LEDspot Par lamps.

Product data

General Information		Luminous flux in 90° cone (rated)	
Cap base	GU5.3 [GU5.3]		440 lm
EU RoHS compliant	Yes	Operating and Electrical	
Nominal lifetime (nom.)	40000 h	Input frequency	- Hz
Switching cycle	50,000X	Power (Rated) (Nom)	6.5 W
Technical type	6.5-35W	Lamp current (nom.)	800 mA
Light Technical		Wattage equivalent	35 W
Colour Code	930 [CCT of 3,000 K]	Starting time (nom.)	0.5 s
Beam Angle (Nom)	36 °	Warm-up time to 60% light (nom.)	0.5 s
Luminous flux (nom.)	440 lm	Power factor (nom.)	0.7
Luminous intensity (nom.)	1400 cd	Voltage (Nom)	ac electronic 12 V
Colour designation	White (WH)	Temperature	
Correlated Colour Temperature (Nom)	3000 K	T-Case maximum (nom.)	90 °C
Luminous efficacy (rated) (nom.)	67.69 lm/W	Controls and Dimming	
Colour consistency	<3	Dimmable	Yes
Colour rendering index (nom.)	97		
LLMF at end of nominal lifetime (nom.)	70 %		

MASTER LEDspot ExpertColor LV

Approval and Application

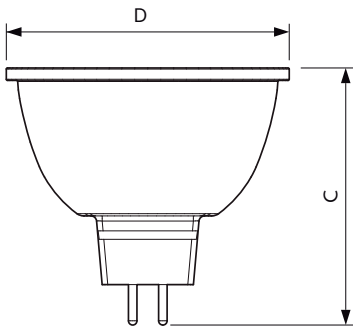
Energy efficiency label (EEL)	A+
Suitable for accent lighting	Yes
Energy consumption kWh/1,000 hours	8 kWh

Product Data

Full product code	871869673885600
Order product name	MASTER LED ExpertColor 6.5-35W MR16 930 36D

EAN/UPC – product	8718696738856
Order code	73885600
SAP numerator – quantity per pack	1
Numerator – packs per outer box	10
SAP material	929001342402
SAP net weight (piece)	0.030 kg

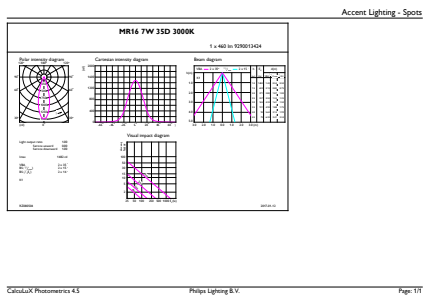
Dimensional drawing



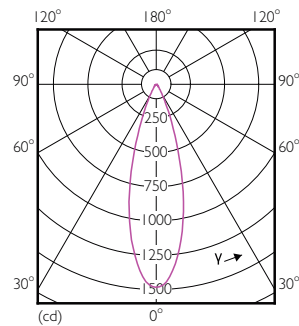
MR16 12V 6.5-42W 450lm 35D 3000K GU5.3 D

Product	D	C
MASTER LED ExpertColor 6.5-35W MR16 930 36D	51 mm	46 mm

Photometric data



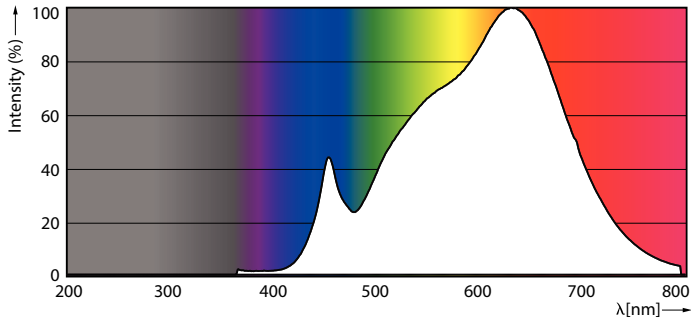
MR16 12V 6.5-42W 450lm 35D 3000K GU5.3 D



LEDSpots MR16 7W 930 460lm 35D

MASTER LEDspot ExpertColor LV

Photometric data

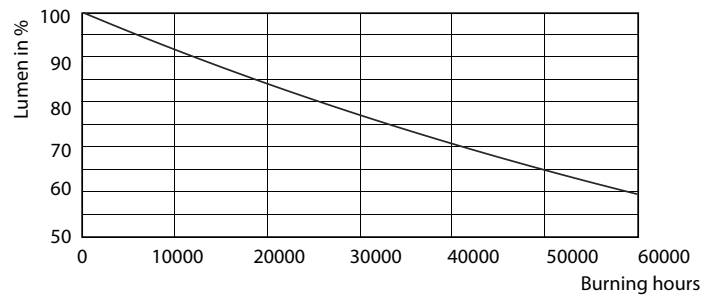


LEDspots MR16 7W 3000K

Lifetime



LEDspots MR16 7W



LEDspots MR16 7W

