



Essential LEDspot MR16

LED spot 3-35W 120D 2700K 220V

Essential LEDspots MR16 are compatible with most existing fixtures with a GU5.3 socket and are designed as a retrofit replacement for halogen spots. Essential LEDspots MR16 deliver significant energy savings and minimise the initial investment.

Product data

General Information	
Cap base	GU5.3 [GU5.3]
EU RoHS compliant	Yes
Nominal lifetime (nom.)	10000 h
Switching cycle	50,000X
Technical type	3-35W

Light Technical	
Colour Code	727 [CCT of 2,700 K]
Beam Angle (Nom)	120 °
Luminous flux (nom.)	240 lm
Colour designation	Warm White (WW)
Correlated Colour Temperature (Nom)	2700 K
Luminous efficacy (rated) (nom.)	80.00 lm/W
Colour consistency	<6
Colour rendering index (nom.)	70
LLMF at end of nominal lifetime (nom.)	70 %

Operating and Electrical	
Input frequency	50 to 60 Hz

Power (Rated) (Nom)	3 W
Lamp current (nom.)	30 mA
Wattage equivalent	35 W
Starting time (nom.)	0.5 s
Warm-up time to 60% light (nom.)	0.5 s
Power factor (nom.)	0.45
Voltage (Nom)	220 V

Temperature	
T-Case maximum (nom.)	70 °C

Controls and Dimming	
Dimmable	No

Approval and Application	
Energy efficiency label (EEL)	A+
Suitable for accent lighting	No
Energy consumption kWh/1,000 hours	3 kWh

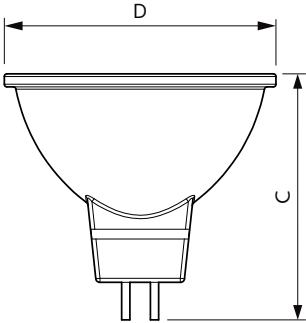
Essential LEDspot MR16

Product Data

Full product code	871869679320600
Order product name	LED spot 3-35W 120D 2700K 220V
EAN/UPC – product	8718696793206
Order code	79320600
SAP numerator – quantity per pack	1

Numerator – packs per outer box	10
SAP material	929001844808
SAP net weight (piece)	0.038 kg

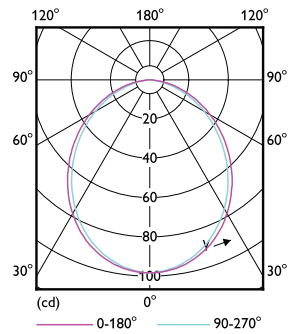
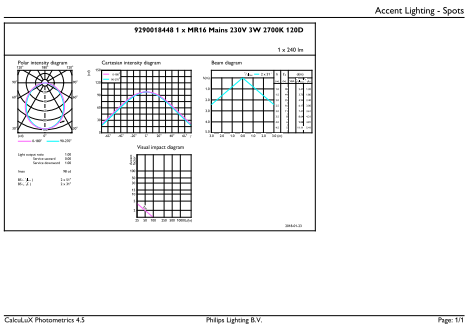
Dimensional drawing



MR16 12V 3W-35W 230lm 120D 2700K GU5.3

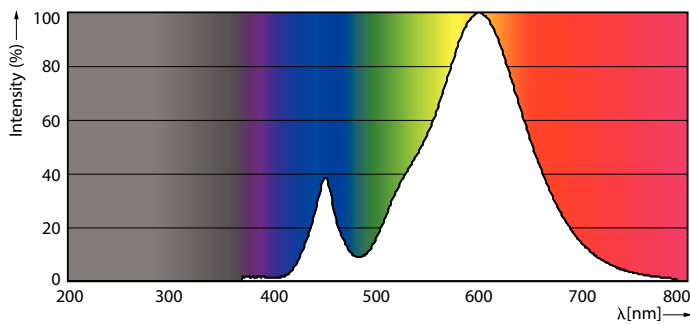
Product	D	C
LED spot 3-35W 120D 2700K 220V	50.5 mm	46.5 mm

Photometric data



LEDspot ESS 35W GU5.3 MR16 827 12D ND RCA

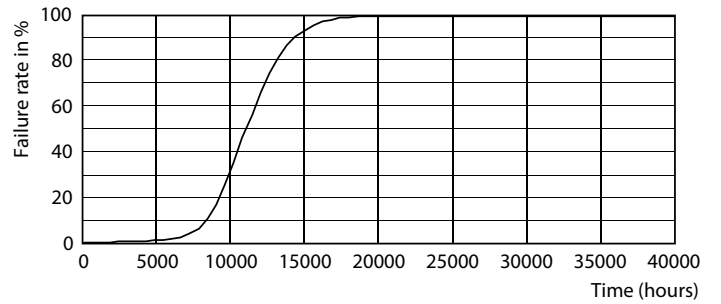
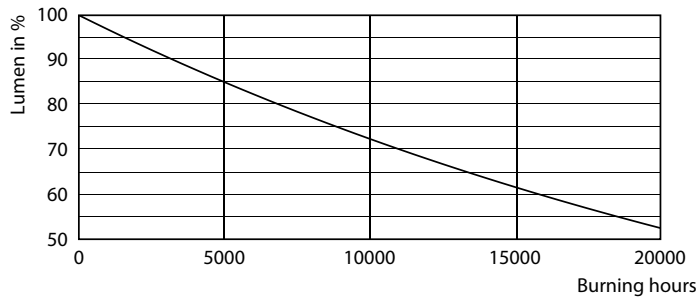
LEDspot ESS 35W GU5.3 MR16 827 12D ND RCA



LEDspot ESS 35W GU5.3 MR16 827 12D ND RCA

Essential LEDspot MR16

Lifetime



LEDspot ESS 50W GU5.3 MR16 827 12D ND RCA

LEDspot ESS 50W GU5.3 MR16 827 12D ND RCA

