



MASTER LEDspot LV AR111

MAS LED SpotLV 20-100W 927 AR111 24D

Delivering a warm, halogen-like accent beam, MASTER LEDspot LV AR111 is an ideal retrofit solution for spot and general lighting applications in the hospitality and retail industry. It is particularly suitable for general lighting where the light is on all the time, such as creative accent lighting applications in shops, restaurants, hotels, and especially for galleries, exhibitions and museums. The robustly designed MASTER LEDspot LV AR111 offers various beam angles for a clearly defined beam spread. There is no UV or IR in the beam, making it suitable for illuminating heat-sensitive objects (food, organic materials, paintings, etc.). The patented intelligent driver enables broad compatibility with existing electromagnetic and electronic halogen transformers. MASTER LEDspot LV AR111 delivers huge energy savings and minimizes maintenance cost without any reduction in brightness.

Product data

General Information	
Cap base	G53 [G53]
EU RoHS compliant	Yes
Nominal lifetime (nom.)	25000 h
Switching cycle	50,000X
Technical type	20-100W
Light Technical	
Colour Code	927
Beam Angle (Nom)	24 °
Luminous flux (nom.)	1200 lm
Luminous intensity (nom.)	4000 cd
Colour designation	Warm White (WW)
Correlated Colour Temperature (Nom)	2700 K

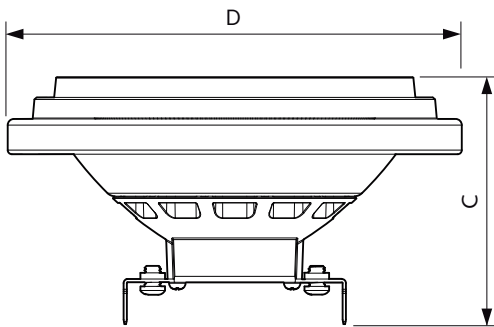
Luminous efficacy (rated) (nom.)	60.00 lm/W
Colour consistency	<4
Colour rendering index (nom.)	91
LLMF at end of nominal lifetime (nom.)	70 %
Operating and Electrical	
Input frequency	- Hz
Power (Rated) (Nom)	20 W
Lamp current (nom.)	2400 mA
Wattage equivalent	100 W
Starting time (nom.)	0.5 s
Warm-up time to 60% light (nom.)	0.5 s
Power factor (nom.)	0.7

MASTER LEDspot LV AR111

Voltage (Nom)	ac electronic 12 V
Temperature	
T-ambient (max.)	45 °C
T-ambient (min.)	-20 °C
T-Case maximum (nom.)	80 °C
Controls and Dimming	
Dimmable	Yes
Approval and Application	
Energy efficiency label (EEL)	A
Suitable for accent lighting	Yes

Energy consumption kWh/1,000 hours	22 kWh
Product Data	
Full product code	871869969071700
Order product name	MAS LED SpotLV 20-100W 927 AR111 24D
EAN/UPC – product	8718699690717
Order code	69071700
Numerator – quantity per pack	1
SAP numerator – packs per outer box	6
Material no. (12 NC)	929002239808
Net Weight (Piece)	0.160 kg

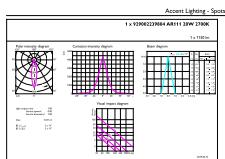
Dimensional drawing



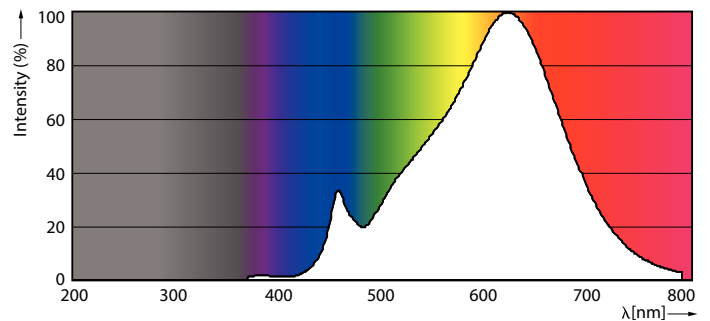
AR111 12V 20-100W 1100lm 25D 2700K G53 D

Product	D	C
MAS LED SpotLV 20-100W 927 AR111 24D	111 mm	62 mm

Photometric data



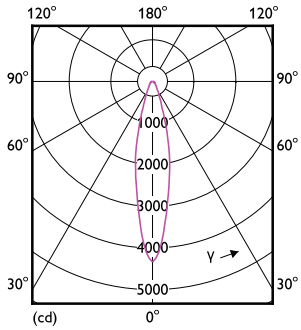
LEDspots 20W AR111 G53 927 24D



LEDspots 20W AR111 G53 927

MASTER LEDspot LV AR111

Photometric data



LEDspots 20W AR111 G53 927 24D

Lifetime



LEDspots LED 25K



LEDspots LMP 25K

