



MASTER LEDspot LV AR111

MAS LED SpotLV 20-100W 927 AR111 40D

Delivering a warm, halogen-like accent beam, MASTER LEDspot LV AR111 is an ideal retrofit solution for spot and general lighting applications in the hospitality and retail industry. It is particularly suitable for general lighting where the light is on all the time, such as creative accent lighting applications in shops, restaurants, hotels, and especially for galleries, exhibitions and museums. The robustly designed MASTER LEDspot LV AR111 offers various beam angles for a clearly defined beam spread. There is no UV or IR in the beam, making it suitable for illuminating heat-sensitive objects (food, organic materials, paintings, etc.). The patented intelligent driver enables broad compatibility with existing electromagnetic and electronic halogen transformers. MASTER LEDspot LV AR111 delivers huge energy savings and minimizes maintenance cost without any reduction in brightness.

Product data

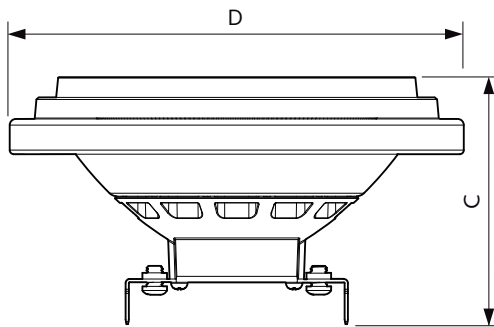
General Information		Luminous efficacy (rated) (nom.)	
Cap base	G53 [G53]		60.00 lm/W
EU RoHS compliant	Yes	Colour consistency	<4
Nominal lifetime (nom.)	25000 h	Colour rendering index (nom.)	91
Switching cycle	50,000X	LLMF at end of nominal lifetime (nom.)	70 %
Technical type	20-100W	Operating and Electrical	
Light Technical		Input frequency	- Hz
Colour Code	927	Power (Rated) (Nom)	20 W
Beam Angle (Nom)	40 °	Lamp current (nom.)	2400 mA
Luminous flux (nom.)	1200 lm	Wattage equivalent	100 W
Luminous intensity (nom.)	2000 cd	Starting time (nom.)	0.5 s
Colour designation	Warm White (WW)	Warm-up time to 60% light (nom.)	0.5 s
Correlated Colour Temperature (Nom)	2700 K	Power factor (nom.)	0.7

MASTER LEDspot LV AR111

Voltage (Nom)	ac electronic 12 V
Temperature	
T-ambient (max.)	45 °C
T-ambient (min.)	-20 °C
T-Case maximum (nom.)	80 °C
Controls and Dimming	
Dimmable	Yes
Approval and Application	
Energy efficiency label (EEL)	A
Suitable for accent lighting	Yes

Energy consumption kWh/1,000 hours	22 kWh
Product Data	
Full product code	871869969077900
Order product name	MAS LED SpotLV 20-100W 927 AR111 40D
EAN/UPC – product	8718699690779
Order code	69077900
Numerator – quantity per pack	1
SAP numerator – packs per outer box	6
Material no. (12 NC)	929002240108
Net Weight (Piece)	0.160 kg

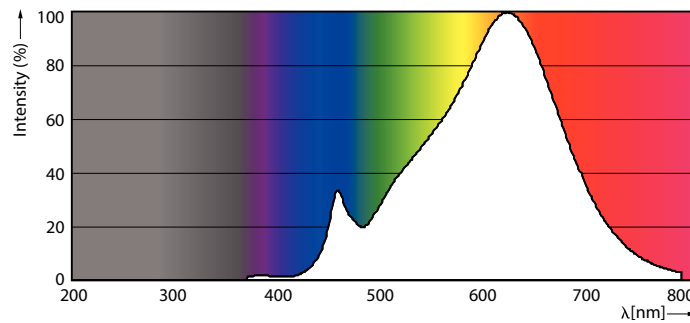
Dimensional drawing



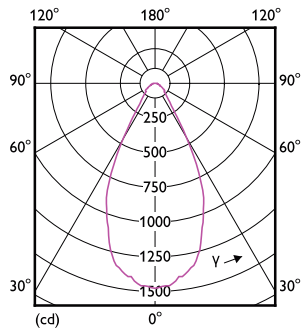
AR111 12V 20-100W 1100lm 40D 2700K G53 D

Product	D	C
MAS LED SpotLV 20-100W 927 AR111 40D	111 mm	62 mm

Photometric data



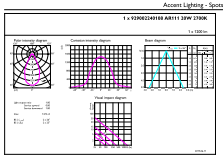
LEDspots 20W AR111 G53 927



LEDspots 20W AR111 G53 927 40D

MASTER LEDspot LV AR111

Photometric data



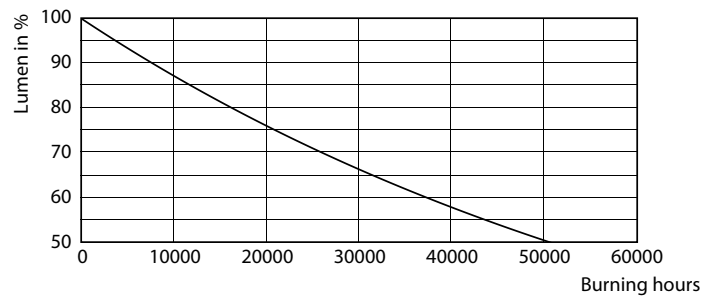
© 2020 Philips Lighting N.V. Page 11

LEDspots 20W AR111 G53 927 40D

Lifetime



LEDspots LED 25K



LEDspots LMP 25K

